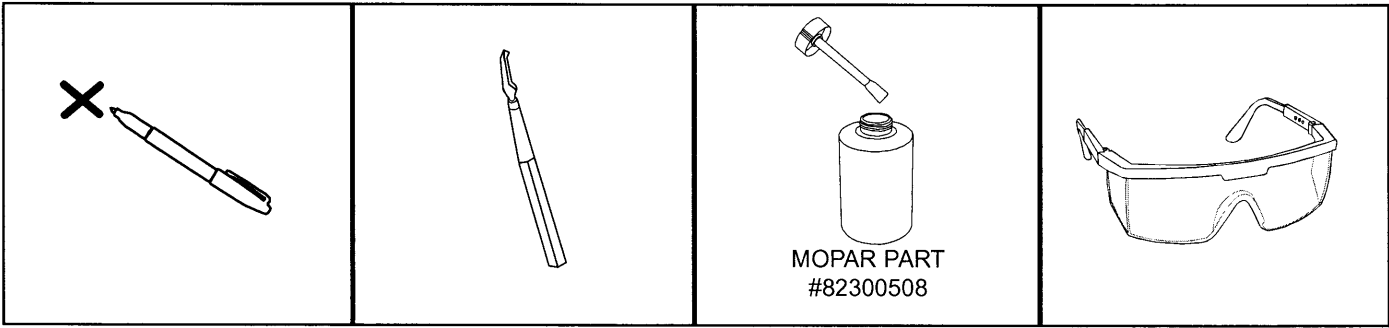
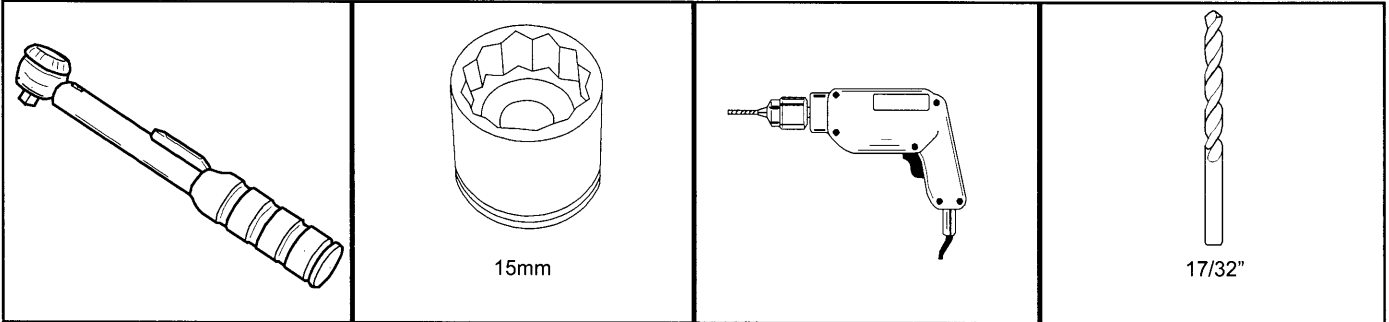
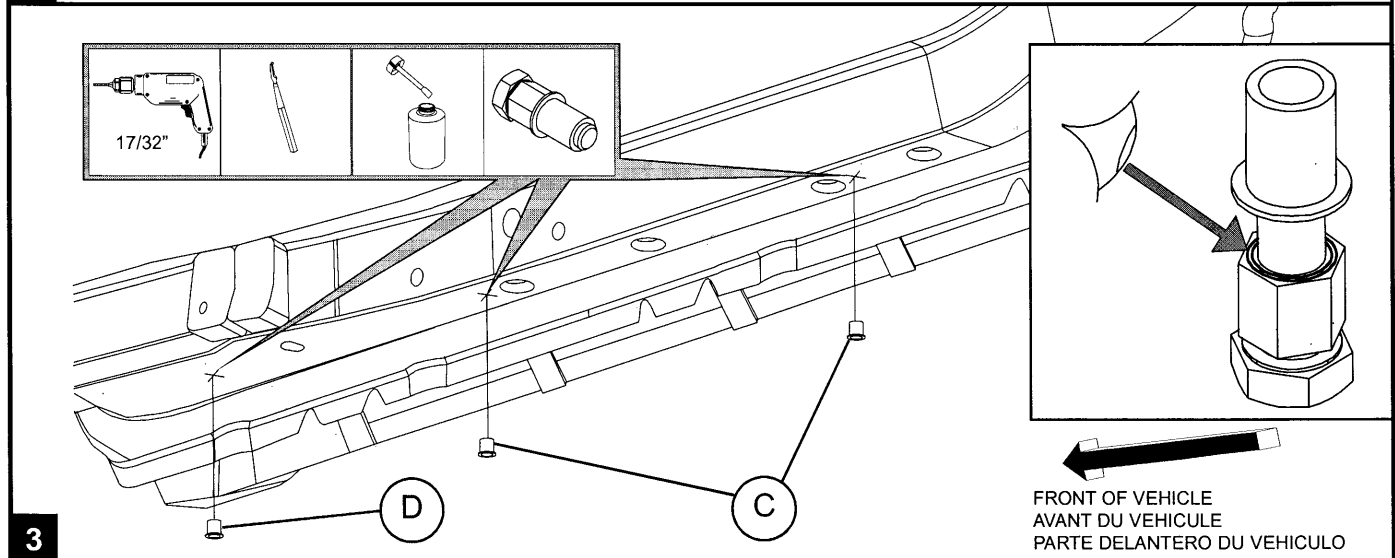
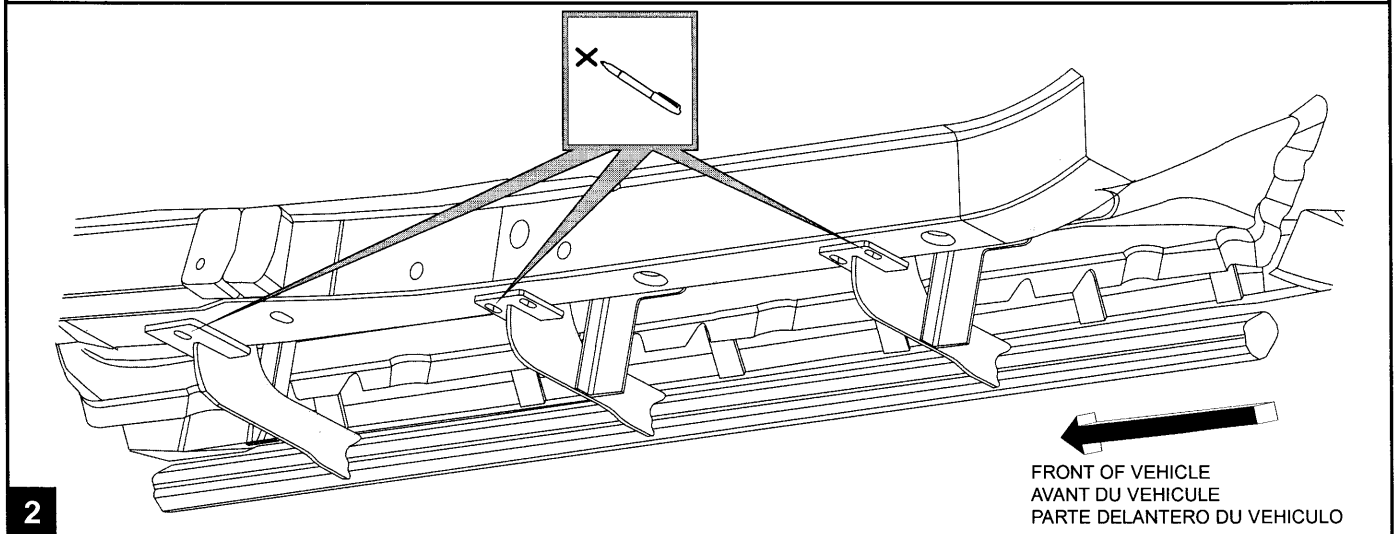
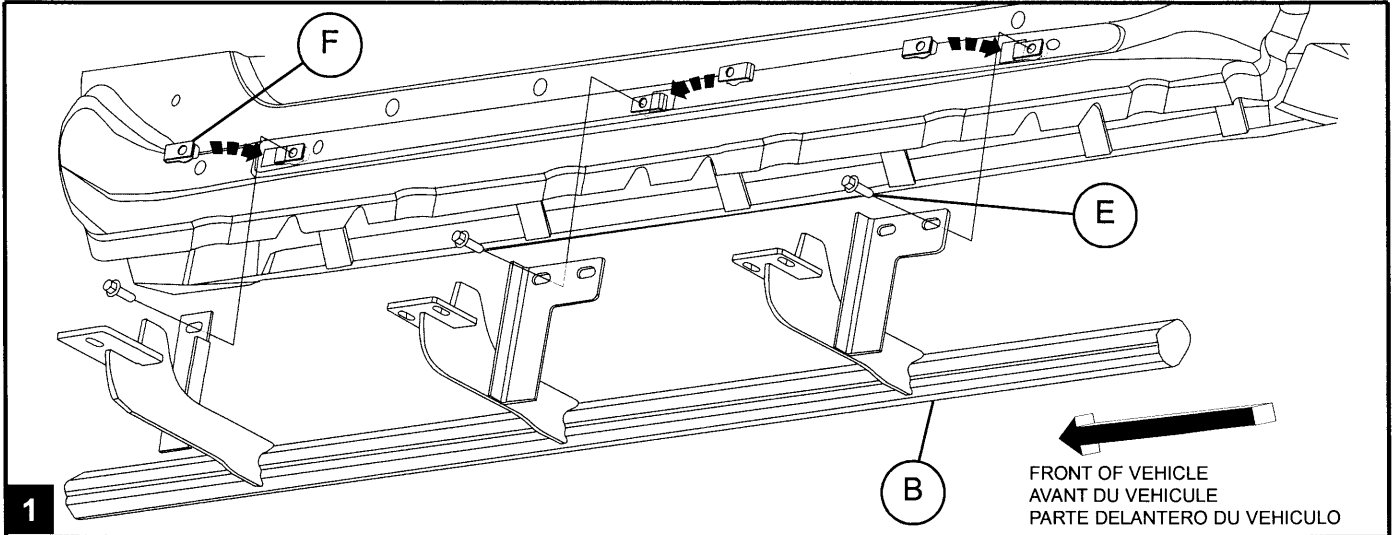


<b>4X C</b>	<b>2X D</b>	<b>12X E</b>	<b>6X F</b>	<b>1X G</b>
<p>MIDDLE/REAR THREADED INSERT (BLUE/GOLD)</p>	<p>FRONT THREADED INSERT (RED)</p>	<p>M10 HEX HEAD BOLT</p>	<p>M10 J-CLIP</p>	<p>M10 INSERT COLLAPSE TOOL</p>





PASSENGER SIDE SHOWN  
EI LADO del PASAJERO MOSTRADO  
LE PASSAGER PREND PARTI MONTRE





MOPAR.

